

**UX SERIES SWING ARM
SPRUE PICKER**

ISO 9001



ND: 12 100 15236 TMS

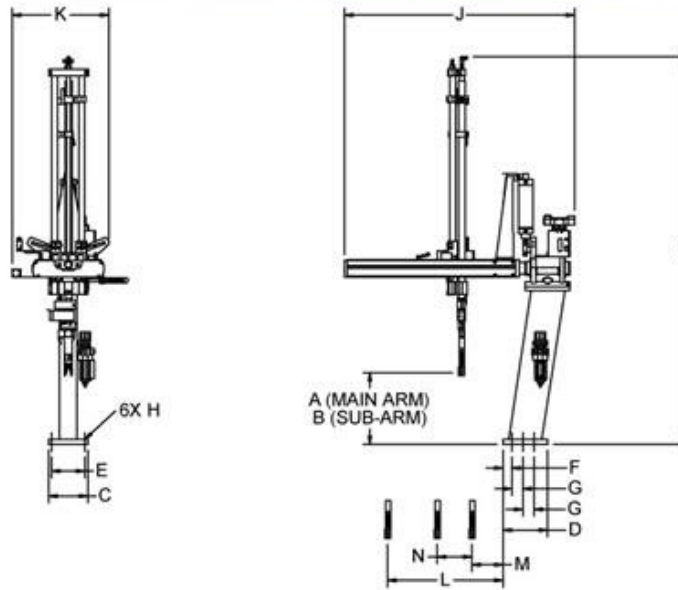


UX F 150 V G

↑ ↑ ↑ ↑ ↑

1 2 3 4 5

1. MODEL: UX SERIES SWING ARM SPRUE PICKER
2. F: 90° WRIST ROTATION FEATURE FOR POSITIVE DISCHARGE
3. VERTICAL STROKE
 - 3-1. 60: 450 mm
 - 3-2. 150: 550 mm
 - 3-3. 250: 650 mm
 - 3-4. 350: 750 mm
 - 3-5. 450: 850 mm
 - 3-6. 550: 950 mm
4. V: VENTURI FEATURE FOR VACUUM SUCTION PAD GRIP
G: DOULBE-ARM CONFIGURATION (AVAILABLE ON UX60 & UX150)



SPECIFICATIONS, PERFORMANCE AND UTILITY REQUIREMENTS

MODEL	UX60	UX150	UX250	UX350	UX450	UX550
Injection Molding Machine Size (Ton)	10 ~ 60	30 ~ 150	90 ~ 250	90 ~ 350	90 ~ 450	90 ~ 550
Main Arm Vertical Stroke (mm)	450	550	650	750	850	950
Sub-arm Vertical Stroke (mm)	450	550	N/A			
Main Arm Strip Stroke (mm)	0 ~ 75		0 ~ 125			
Sub-arm Strip Stroke (mm)	0 ~ 75		N/A			
Swing Angle (in both direction)	50° ~ 90°					
Wrist Rotation Position Control (in both direction)	0° ~ 90°					
A: Grip Position Above Platen of Main Arm (mm)	0 ~ 180		0 ~ 320			
A: Grip Position with Wrist Rotation F (mm)	0 ~ 120		0 ~ 240			
B: Grip Position Above Platen of Sub-arm (mm)	0 ~ 180		N/A			
C: Base Mounting Plate Width (mm)	125		176			
D: Base Mounting Plate Length (mm)	195		200			
E: Mounting Pattern Width Pitch (mm)	100		140			
F: Mounting Hole Distance (mm)	15		25			
G: Mounting Pattern Length Pitch (mm)	40		75			
H: Mounting Clearance Hole Diameter (mm)	Ø12		Ø14			
I: Overall Height (mm)	1190	1290	1725	1825	1925	2025
J: Overall Length (mm)	730		1025			
K: Overall Width (mm)	290		425			
L: Maximum Reach in Strip Direction (mm)	390		505			
M: Minimum Reach in Strip Direction (mm)	50		65			
N: Minimum Distance in Double-arm Configuration (mm)	40		N/A			
Minimum Take-out Time (sec)	0.7	0.8	1.2	1.3	1.4	1.5
Minimum Total Cycle Time (sec)	3.0	3.1	3.8	4.0	4.2	4.5
Maximum Payload w/o wrist rotation (Kg)	1		2			
Maximum Payload w/ wrist rotation (Kg)	0.5		1			
Suggested Operation Air Pressure (Kgf/cm ²)	5.5					
Maximum Allowable Air Pressure (Kgf/cm ²)	9					
Air Consumption (NL/cycle)	5.3	5.8	11.2	12.2	13.2	14.2
Installed Weight (Kg)	26	28	56	57	58	60
Control System	CD-EM1 Programmable Controller, SPI/EUROMAP Compatible					
Power Supply	Single Phase, 100VAC ~ 250VAC, 50/60 Hz					
Power Consumption	20 Watts					